



SCM60ZM-S1

6.0kW

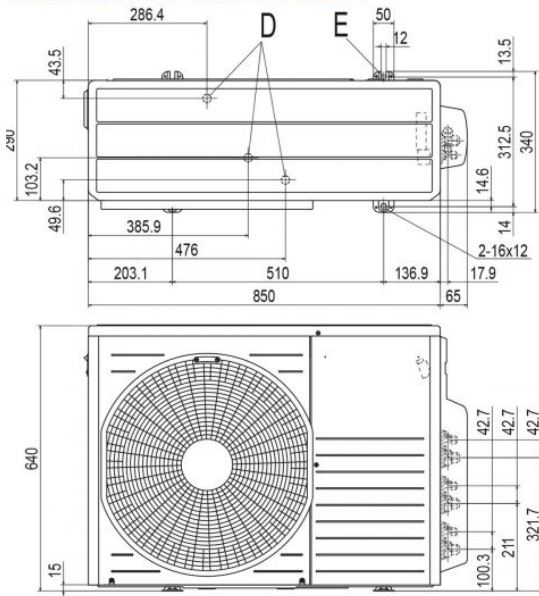
Specifications

Power source			1Phase, 220 - 240V, 50Hz
Nominal cooling capacity (Min~Max)		kW	6.0(1.8~7.5)
Nominal heating capacity (Min~Max)		kW	6.8(1.5~7.8)
Power consumption	Cooling/Heating	kW	1.43(0.50~2.39) / 1.45(0.60~3.00)
EER/COP	Cooling/Heating		4.20 / 4.69
Max. running current		A	17
Sound power level	Cooling	dB(A)	63
	Heating		65
Sound pressure level	Cooling	dB(A)	50
	Heating		52
Air flow	Cooling	m ³ /min	42.0
	Heating		42.0
Exterior Dimensions	Height x Width x Depth	mm	640 x 850(+65) x 290
Net weight		kg	49.5
Refrigerant	Type/GWP		R410A/2088
	Charge	kg/TCO ₂ Eq	2.5/5.22
Refrigerant piping size	Liquid/Gas	ø mm	6.35(1/4") x 3 / 9.52(3/8") x 3
Outdoor operating temperature range	Cooling	°C	-15~43
	Heating		-15~24
Number of Connectable indoor units			Min.2~Max.3
Total indoor units capacity			11.0

- The data is measured under the following conditions(ISO-T1, H1). Cooling: Indoor temp. of 27°CDB, 19°CWB, and outdoor temp. of 35°CDB. Heating: Indoor temp. of 20°CDB, and outdoor temp. of 7°CDB, 6°CWB.
- Sound level indicates the value in an anechoic chamber. During operation these values are somewhat higher due to ambient conditions.
- 'tonne(s) of CO₂ equivalent' means a quantity of greenhouse gases- expressed as the product of the weight of the greenhouse gases in metric tonnes and of their global warming potential.
- In case of SRK71ZR + SRK71ZR, 2 Indoor units can be connectable. The total connecting capacity of indoor units should be between 100 - 160.

Schematics

SCM50ZS-S1 SCM60ZM-S1



Symbol	Content
A	Service valve connection (gas side) $\phi 9.52 (3/8")$ Flare
B	Service valve connection (liquid side) $\phi 6.35 (1/4")$ Flare
C	Pipe / cable draw-out hole
D	Drain discharge hole $\phi 20 \times 3$ places
E	Anchor bolt hole M10 x 4 places

Minimum installation space	
Symbol	Installation space
L1	600 or more
L2	100 or more
L3	100 or more
L4	No obstacles (Service space or electrical parts)

