



SAF800E7

Specifications

Power Source			1 Phase 220-240V, 50Hz
Exterior dimensions Height x Width x Depth		mm	388x1322x884
Exterior appearance			Galvanized steel sheet
Power input		W	360-378
Running current		A	1.64-1.58
Capacity UHi	Enthalpy exchange efficiency	Cooling	65
		Heating	71
	Temperature exchange efficiency		75
Capacity Hi	Enthalpy exchange efficiency	Cooling	65
		Heating	71
	Temperature exchange efficiency		75
Capacity Lo	Enthalpy exchange efficiency	Cooling	68
		Heating	74
	Temperature exchange efficiency		76
Motor & Q'ty		W	180 x 2
Air handling equipment Fan type & Q'ty			Sirocco fan x 2
Air flow	UHi	m3/h	800
	Hi		800
	Lo		630
External static pressure	UHi	Pa	140
	Hi		110
	Lo		55
Net weight		kg	71
Remote Control			Included
Air filter	Supply air		Protection for element (Washable) PS400
	Exhaust air		

The data are measured under the following conditions(ISO-T1).

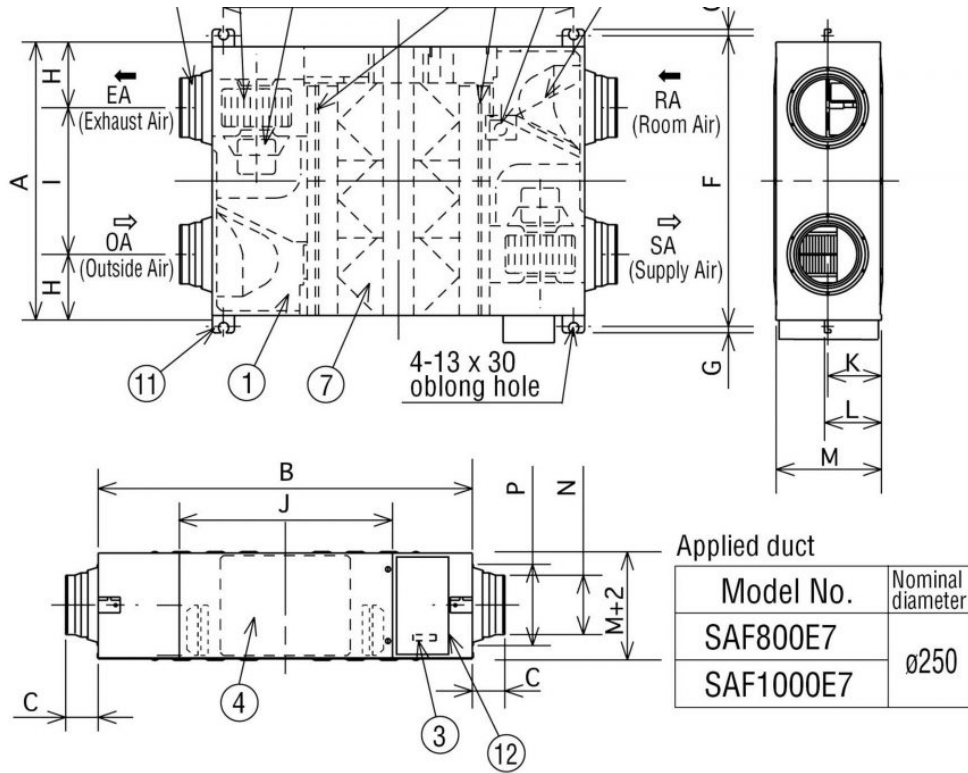
Cooling: Indoor temp. of 27°CDB, 19°CWB, and outdoor temp. of 35°CDB.

Heating: Indoor temp. of 20°CDB, and outdoor temp. of 7°CDB, 6°CWB.

External static pressure of indoor unit is 10Pa.

The sound level indicates the value of rear-intake type with duct in anechoic chamber. During operation these values are somewhat higher due to ambient conditions.

Schematics



Dimension table

Unit:mm

Model	A	B	C	E	F	G	H	I	J	K	L	M	N	P
-------	---	---	---	---	---	---	---	---	---	---	---	---	---	---