



FDUM112KXE6F

Specifications

Nominal cooling capacity		kW	11.2
Nominal heating capacity		kW	12.5
Power source			1 Phase 220-240V, 50Hz
Power consumption	Cooling	kW	0.29-0.29
	Heating	kW	0.29-0.29
Sound pressure level Cooling		db(A)	P-Hi:44 Hi:38 Me:36 Lo:30
Exterior dimensions unit	H x W x D	mm	280 x 1370 x 740
Net weight		kg	54
Air flow		m ³ /min	P-Hi:36 Hi:28 Me:25 Lo:19
Maximum external static pressure		Pa	100
Outside air intake			Possible
Air filter, Q'ty			Filter kit:UM-FL1EF/UM-FL2EF/UM-FL3EF(option)
Remote control(option)			wired:RC-EX3A, RC-E5, RCH-E3 wireless:RCN-KIT4-E2
Installation data Refrigerant piping size		mm(in)	Liquid line:ø9.52(3/8") Gas line:ø15.88(5/8")

The data are measured under the following conditions(ISO-T1).

Cooling: Indoor temp. of 27°CDB, 19°CWB, and outdoor temp. of 35°CDB.

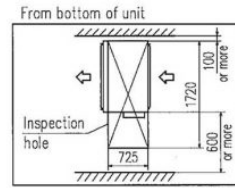
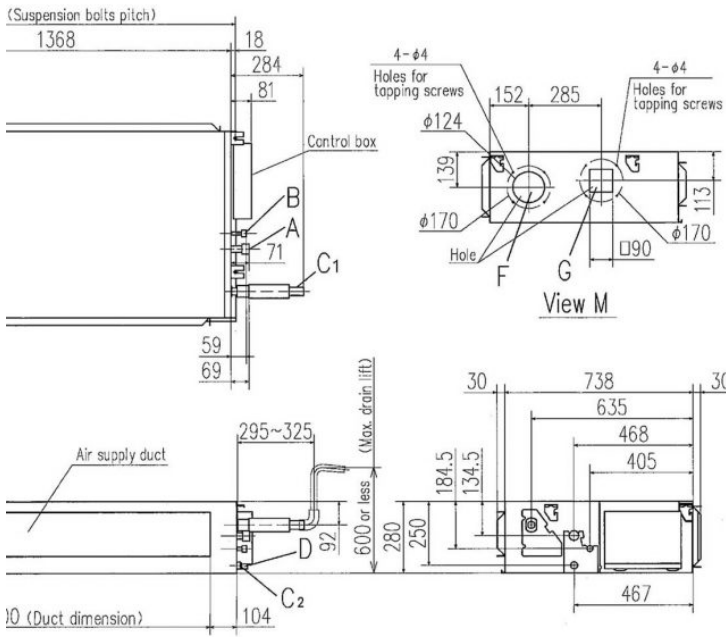
Heating: Indoor temp. of 20°CDB, and outdoor temp. of 7°CDB, 6°CWB.

External static pressure of indoor unit is 10Pa.

The sound level indicates the value of rear-intake type with duct in anechoic chamber. During operation these values are somewhat higher due to ambient conditions.

Schematics

140KXE6F, 160KXE6F



Symbol	
A	Gas piping
B	Liquid piping
C1	Drain piping
C2	Drain piping (Gravity drains)
D	Hole for wiring
E	Suspension bolt
F	Outside air opening for ducting
G	Air outlet opening for ducting
H	Inspection hole

Note: The model name list

