



FDU280KXZE1

28.0kW

Specifications

Nominal cooling capacity		kW	28.0
Nominal heating capacity		kW	31.5
Power source			1 Phase 220-240V, 50Hz
Power consumption	Cooling	kW	1.16-1.20
	Heating	kW	1.16-1.20
Sound pressure level Cooling		db(A)	P-Hi:52 Hi:50 Me:47 Lo:45
Exterior dimensions unit	H x W x D	mm	379x1600x893
Net weight		kg	89
Air flow		m ³ /min	P-Hi:80 Hi:72 Me:64 Lo:56
Maximum external static pressure		Pa	200
Outside air intake			Possible (on return duct)
Air filter, Q'ty			Procure locally
Remote control(option)			wired:RC-EX3A, RC-E5, RCH-E3 wireless:RCN-KIT4-E2
Installation data Refrigerant piping size		mm(in)	Liquid line:ø9.52(3/8") Gas line:ø22.22(7/8")

The data are measured under the following conditions(ISO-T1).

Cooling: Indoor temp. of 27°CDB, 19°CWB, and outdoor temp. of 35°CDB.

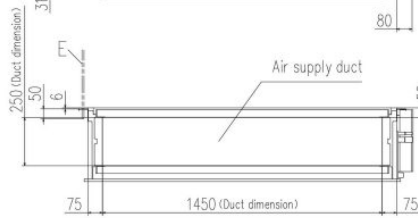
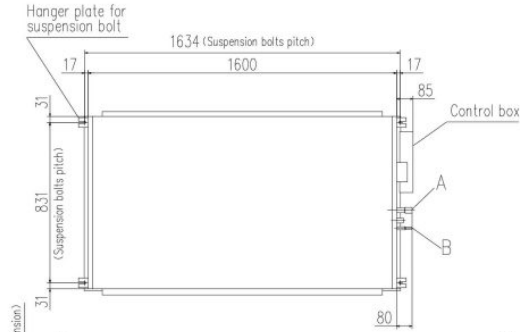
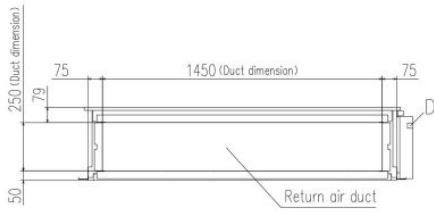
Heating: Indoor temp. of 20°CDB, and outdoor temp. of 7°CDB, 6°CWB.

External static pressure of indoor unit is 10Pa.

The sound level indicates the value of rear-intake type with duct in anechoic chamber. During operation these values are somewhat higher due to ambient conditions.

Schematics

FDU224KXZE1, 280KXZE1



Symbol	MODEL	224	280
A	Gas piping	φ19.05 (3/4") (Brazing)	φ22.22 (7/8") (Brazing)
B	Liquid piping	φ9.52 (3/8") (Brazing)	
C	Drain piping (Gravity drainage)	VP25 (O.D.32)	
D	Hole for wiring		
E	Suspension bolts	M10	
F	Inspection hole	(450X450)	

