



SRK35ZSX-S / SRC35ZSX-S

3.5 (0.9~4.3)

Indoor Unit : SRK35ZSX-S

Outdoor Unit : SRC35ZSX-S

Specifications

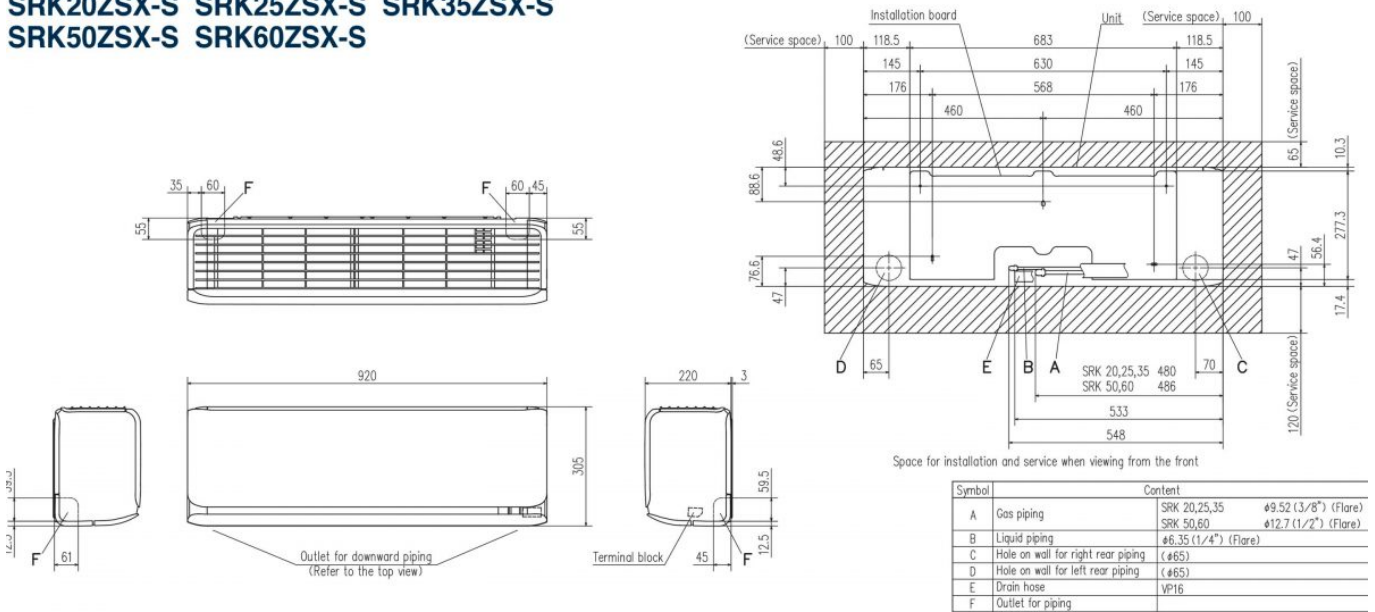


Indoor unit			SRK35ZSX-S
Outdoor unit			SRC35ZSX-S
Power source			1Phase, 220 - 240, 50Hz
Nominal cooling capacity (Min~Max)		kW	3.5 (0.9~4.3)
Nominal heating capacity (Min~Max)		kW	4.3 (0.8~6.6)
Power consumption	Cooling/Heating	kW	0.78 / 0.90
EER/COP	Cooling/Heating		4.49 / 4.78
Max. running current		A	9
Sound power level	Indoor	Cooling/Heating	58 / 58
	Outdoor	Cooling/Heating	61 / 62
Sound pressure level	Indoor	Cooling (Hi/Me/Lo/Ulo)	43 / 35 / 26 / 19
		Heating (Hi/Me/Lo/Ulo)	41 / 35 / 28 / 19
	Outdoor	Cooling/Heating	48 / 47
Air flow	Indoor	Cooling (Hi/Me/Lo/Ulo)	13.1 / 10.8 / 7.3 / 5.0
		Heating (Hi/Me/Lo/Ulo)	13.9 / 11.8 / 8.6 / 5.4
	Outdoor	Cooling/Heating	36.0 / 31.0
Exterior Dimensions	Indoor	Height x Width x Depth	305 x 920 x 220
	Outdoor		640 x 800(+71) x 290
Net weight	Indoor / Outdoor		kg 13.0 / 43.0
Refrigerant	Type/GWP		R410A / 2088
Refrigerant	Charge	kg/TCO2Eq	1.45 / 3.028
Refrigerant piping size	Liquid/Gas	ø mm	6.35(1/4") / 9.52(3/8")
Refrigerant line (one way) length		m	Max.25
Vertical height differences	Outdoor is higher/lower	m	Max.15 / Max.15
Outdoor operating temperature range	Cooling	°C	-15~46
	Heating		-20~24
Clean filter			Allergen Clear Filter x 1, Photocatalytic Washable Deodorizing Filter x 1
Energy Class (Cooling/Heating)			A+++ / A+++
SEER			9.20
SCOP (Average climate)			5.10
Pdesign (cooling/heating(@-10°C))		kW	3.50/3.30
Annual Electricity Consumption (cooling/heating)		kWh/a	134/906
Designated Heating Season			Average

• The data is measured under the following conditions(ISO-T1, H1). Cooling: Indoor temp. of 27°CDB, 19°CWB, and outdoor temp. of 35°CDB. Heating: Indoor temp. of 20°CDB, and outdoor temp. of 7°CDB, 6°CWB.
 • Sound level indicates the value in an anechoic chamber. During operation these values are somewhat higher due to ambient conditions.
 • 'tonne(s) of CO2 equivalent' means a quantity of greenhouse gases- expressed as the product of the weight of the greenhouse gases in metric tonnes and of their global warming potential.
 *SEER/SCOP are based on EN14825:2016 and Commission regulation (EU) No.2016/2281

Schematics

SRK20ZSX-S SRK25ZSX-S SRK35ZSX-S SRK50ZSX-S SRK60ZSX-S



SRC20ZSX-W,-S SRC25ZSX-W,-S SRC35ZSX-W,-S SRC40ZSX-W,-S SRC50ZSX-W,-S SRC60ZSX-W,-S SRC63ZR-W,-S

