



FDU125VSXVH

12.5 (5.0 ~ 14.0)

Indoor Unit : FDU125VH

Outdoor Unit : FDC125VSX

Specifications

R410A

Indoor unit			FDU125VH	
Outdoor unit			FDC125VSX	
Power source			3 Phase 380-415V, 50Hz / 380V, 60Hz	
Nominal cooling capacity (Min~Max)		kW	12.5 (5.0 ~ 14.0)	
Nominal heating capacity (Min~Max)		kW	14.0 (4.0 ~ 18.0)	
Power consumption		Cooling/Heating	kW	3.49 / 3.77
EER/COP		Cooling/Heating		3.58 / 3.71
Inrush current			A	5
Max. running current			A	18
Sound power level* ¹	Indoor * ³	Cooling/Heating	dB(A)	67 / 67
	Outdoor	Cooling/Heating		70 / 70
Sound pressure level* ¹	Indoor * ³	Cooling (Hi/Me/Lo/Ulo)		45 / 40 / 34 / 29
		Heating (Hi/Me/Lo/Ulo)		45 / 40 / 34 / 29
	Outdoor	Cooling/Heating		48 / 50
Air flow	Indoor * ³	Cooling (Hi/Me/Lo/Ulo)		m ³ /min
		Heating (Hi/Me/Lo/Ulo)	39 / 32 / 26 / 20	
	Outdoor	Cooling/Heating	100 / 100	
Available external static pressure			Pa	Standard:60 Max:200
Exterior Dimensions	Indoor	Height x Width x Depth	mm	280 x 1,370 x 740
	Outdoor			1,300 x 970 x 370
Net weight	Indoor / Outdoor		kg	54 / 105
Refrigerant		Type/GWP	R410A/2088	
Refrigerant piping size		Liquid/Gas	ø mm	9.52(3/8") / 15.88(5/8")
Refrigerant line (one way) length			m	Max.100
Vertical height differences		Outdoor is higher/lower	m	Max.30 / Max.15
Outdoor operating temperature range	Cooling* ²		°C	-15~43
	Heating			-20~20
Air filter quantity			Procure locally	
Remote control (option)			wired:RC-EX3A, RC-E5, RCH-E3 wireless:RCN-KIT4-E2	
SEER			5.49	
SCOP (Average climate)			3.91	

The data is measured under the following conditions(ISO-T1).

Cooling: Indoor temp. of 27°CDB, 19°CWB, and outdoor temp. of 35°CDB. Heating: Indoor temp. of 20°CDB, and outdoor temp. of 7°CDB, 6°CWB.

*1 : Indicates the value in an anechoic chamber. During operation these values are somewhat higher due to ambient conditions.

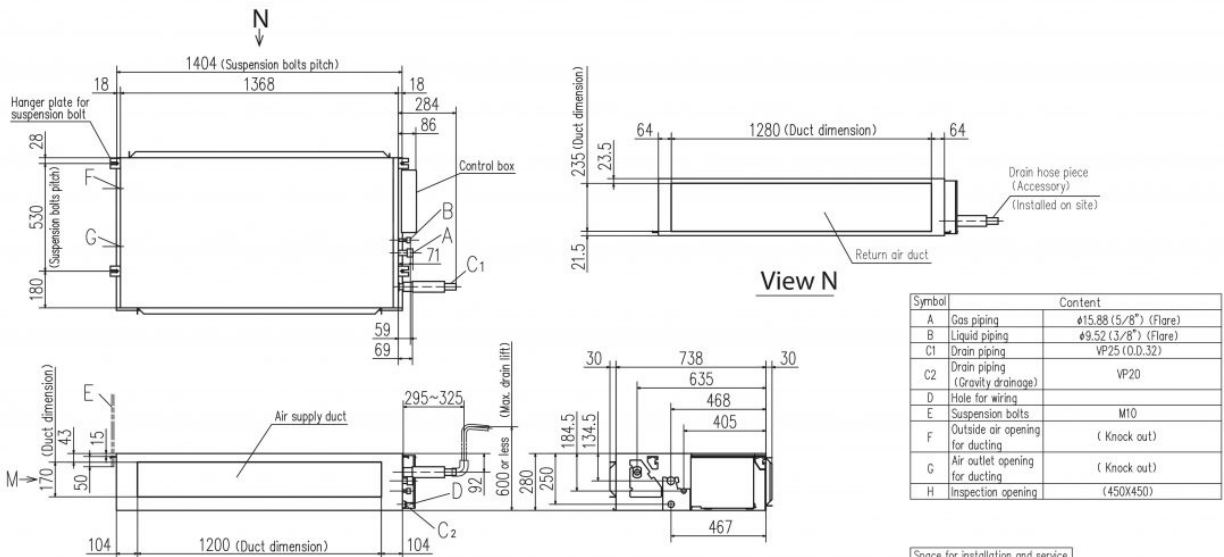
*2 : If a cooling operation is conducted when the outdoor air temperature is -5°C or lower, the outdoor unit should be installed at a place where it is not influenced by natural wind. If wind blows, the low pressure will drop and compressor frequency will increase, this will cause the capacity to drop and may cause the unit to break down.

*3 The values are for one indoor unit operation. (Multi system only)

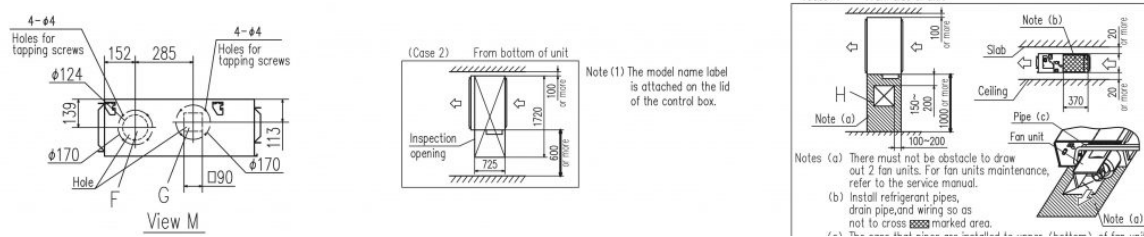
External static pressure is changeable to be set by the remote control. MAX external static pressure is 'High static pressure' setting. The values of sound pressure level become 5dB(A) higher at external static pressure of 200Pa for FDU indoor models and 100Pa for FDUM indoor models

Schematics

MODEL FDU100VH, 125VH, 140VH



Space for installation and service
Select either of two cases to keep space for installation and services.



FDC100VNX, 100VVSX, 125VNX, 125VVSX, 140VNX, 140VVSX

