



## FDTC71VNXWPVH

7.1 ( 3.2 ~ 8.0 )

Indoor Unit : FDTC40VH x 2

Outdoor Unit : FDC71VNX-W

### Specifications

R32

Indoor unit		FDTC40VH x 2	
Outdoor unit		FDC71VNX-W	
Power source		1 Phase 220-240V, 50Hz / 220V, 60Hz	
Nominal cooling capacity (Min-Max)		kW	7.1 ( 3.2 ~ 8.0 )
Nominal heating capacity (Min-Max)		kW	8.0 ( 3.6 ~ 9.0 )
Power Consumption		Cooling/Heating kW	1.73 / 1.83
EER/COP		Cooling/Heating kW	4.12 / 4.37
Inrush current		A	5
Max. current		A	19.1
Sound power level* <sup>1</sup>	Indoor* <sup>3</sup>	Cooling/Heating	dB(A) 59 / 59
	Outdoor	Sound power level	dB(A) 66 / 66
Sound pressure level* <sup>1</sup>	Indoor* <sup>3</sup>	Cooling (P-Hi/Hi/Me/Lo)	dB(A) 44 / 40 / 35 / 27
	Indoor	Heating (P-Hi/Hi/Me/Lo)	dB(A) 44 / 40 / 35 / 27
	Outdoor	Cooling/Heating	dB(A) 51 / 51
Air flow	Indoor* <sup>3</sup>	Cooling (P-Hi/Hi/Me/Lo)	m <sup>3</sup> /min 13 / 11 / 9 / 7
	Indoor	Heating (P-Hi/Hi/Me/Lo)	m <sup>3</sup> /min 13 / 11 / 9 / 7
	Outdoor	Cooling/Heating	m <sup>3</sup> /min 60 / 50
Exterior dimensions	Indoor	HeightxWidthxDepth	mm Unit: 248 x 570 x 570 Panel: 10 x 620 x 620
	Outdoor		mm 750 x 880(+88) x 340
Net weight		Indoor/Outdoor	kg 16.5(Unit:14 Standard Panel:2.5) / 60
Refrigerant charge		kg/TCO <sub>2</sub> E <sub>q</sub>	2.75/1.86
Refrigerant Type GWP			R32/675
Ref.piping size	Liquid/Gas	ømm	9.52(3/8") / 15.88(5/8")
Refrigerant line (one way) length		m	Max. 50
Vertical height differences		Outdoor is higher/lower	m Max.30 / Max.15
Outdoor operating temperature range	Cooling* <sup>2</sup>		°C -15~50
	Heating		°C -20~20
Panel		TC-PSA-5AW-E, TC-PSAE-5AW-E(Honeycomb) / TC-PSAG-5AW-E, TC-PSAGE-5AW-E(Grid)	
Air filter, Q'ty		Pocket plastic net x 1(Washable)	
Remote control (option)		wired:RC-EX3A, RC-E5, RCH-E3, wireless:RCN-TC-5AW-E2, -E3	
Energy Class (Cooling/Heating)		A+ +/A+	
SEER		6.70	
SCOP (Average climate)		4.40	
Pdesign (cooling/heating@-10°C)		7.1/6.0	
Annual Electricity Consumption		371/1911	
Designated Heating Season		Average	

The data is measured under the following conditions(ISO-T1).

Cooling: Indoor temp. of 27°CDB, 19°CWB, and outdoor temp. of 35°CDB. Heating: Indoor temp. of 20°CDB, and outdoor temp. of 7°CDB, 6°CWB.

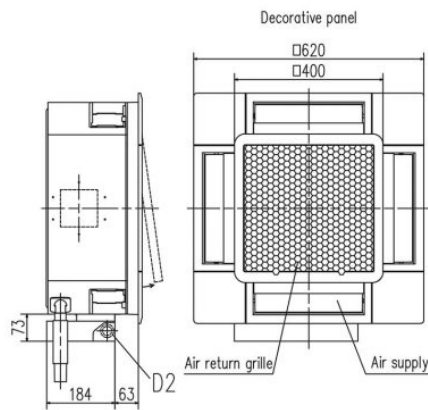
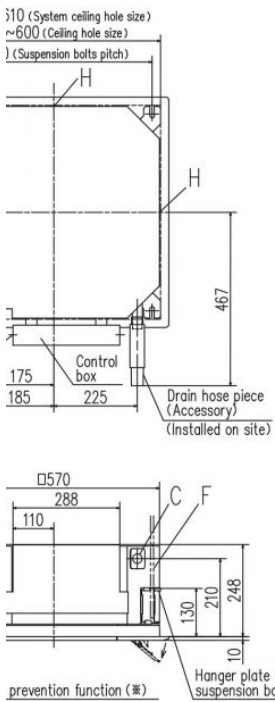
\*1: Indicates the value in an anechoic chamber. During operation these values are somewhat higher due to ambient conditions

\*2: If a cooling operation is conducted when the outdoor air temperature is -5°C or lower, the outdoor unit should be installed at a place where it is not influenced by natural wind, if wind blows, the low pressure will drop and compressor frequency will increase, this will cause the capacity to drop and may cause the unit to break down

\*3: The values are for one indoor unit operation. (Multi system only)

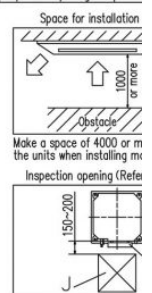
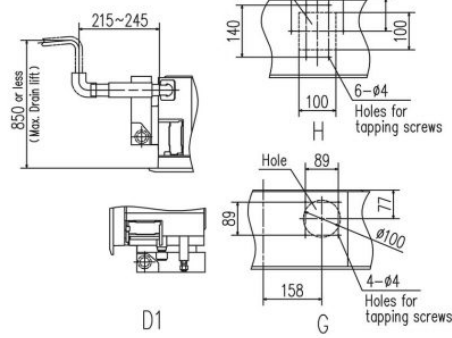
**Schematics**

**1 FDTC35VH1 FDTC40VH FDTC50VH FDTC60VH**



Notes (1) The model name label is attached to the control box lid.  
 (2) This unit is designed for 2x2 grid ceiling.  
 If it is installed on a ceiling other than 2x2 grid ceiling, provide an inspection opening on the control box side.  
 (3) Draft prevention function (※) is provided on the panel TC-P

Symbol	Content	Dimensions
A	Gas piping	25-32
B	Liquid piping	40-60
C	Drain piping	
D1	Power supply connection	
D2	Remote control code and signal wiring connection	
F	Suspension bolts	
G	Outside air opening for ducting	
H	Air outlet opening for ducting	
J	Inspection opening	

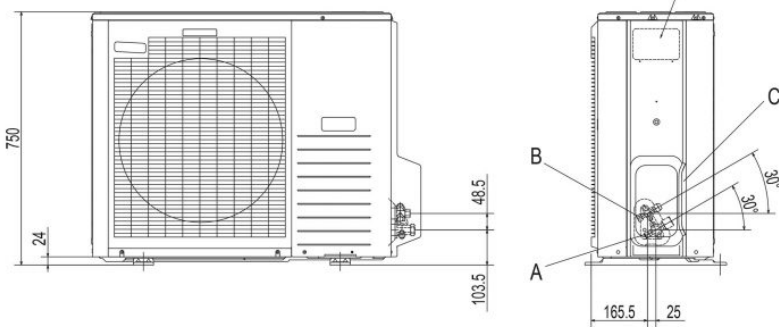
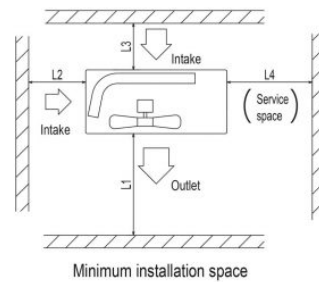
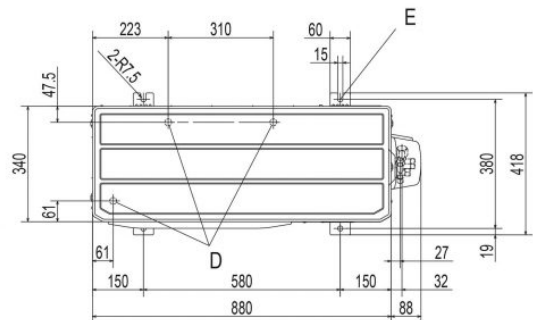


**FDTC71VNA**

Symbol	Content	Dimensions
A	Service valve connection (gas side)	φ15.88 (5/8") (Flare)
B	Service valve connection (liquid side)	φ9.52 (3/8") (Flare)
C	Pipe/cable draw-out hole	
D	Drain discharge hole	φ20 × 3places
E	Anchor bolt hole	M10 × 4places

**Notes**

- It must not be surrounded by walls on the four sides.
- The unit must be fixed with anchor bolts. An anchor bolt must not protrude more than 15mm.
- Where the unit is subject to strong winds, lay it in such a direction that the blower outlet faces perpendicularly to the dominant wind direction.
- Leave 1m or more space above the unit.
- A wall in front of the blower outlet must not exceed the units height.
- The model name label is attached on the lower right corner of the front panel.



Dimensions	I	II	III
L1	Open	Open	500
L2	300	250	Open
L3	100	150	100
L4	250	250	250