



FDTC60ZSXVH

5.6 (1.1 ~ 6.3)

Indoor Unit : FDTC60VH

Outdoor Unit : SRC60ZSX-S

Specifications

R410A

Indoor unit		FDTC60VH	
Outdoor unit		SRC60ZSX-S	
Power source		1 Phase 220-240V, 50Hz / 220V, 60Hz	
Nominal cooling capacity (Min~Max)		kW	5.6 (1.1 ~ 6.3)
Nominal heating capacity (Min~Max)		kW	6.7 (0.6 ~ 6.7)
Power consumption	Cooling/Heating	kW	1.76 / 2.14
EER/COP	Cooling/Heating		3.18 / 3.13
Inrush current		A	5
Max. running current		A	15
Sound power level*1	Indoor	Cooling/Heating	60 / 60
	Outdoor	Cooling/Heating	65 / 64
Sound pressure level*1	Indoor	Cooling (Hi/Me/Lo/Ulo)	46 / 42 / 38 / 31
		Heating (Hi/Me/Lo/Ulo)	46 / 42 / 38 / 31
	Outdoor	Cooling/Heating	52 / 52
Air flow	Indoor	Cooling (Hi/Me/Lo/Ulo)	14 / 12 / 10 / 8
		Heating (Hi/Me/Lo/Ulo)	14 / 12 / 10 / 8
	Outdoor	Cooling/Heating	41.5 / 39
Exterior Dimensions	Indoor	Height x Width x Depth	Unit: 248 x 570 x 570 Panel: 10 x 620 x 620
	Outdoor		640 x 800(+71) x 290
Net weight	Indoor / Outdoor	kg	16.5(Unit:14 Standard Panel:2.5) / 45
Refrigerant	Type/GWP		R410A/2088
Refrigerant	Charge	kg/TCO2Eq	1.5/3.132
Refrigerant piping size	Liquid/Gas	ø mm	6.35(1/4") / 12.7(1/2")
Refrigerant line (one way) length		m	Max.30
Vertical height differences	Outdoor is higher/lower	m	Max.20 / Max.20
Outdoor operating temperature range	Cooling*2	°C	-15~46
	Heating		-20~24
Panel		TC-PSA-5AW-E, TC-PSAE-5AW-E(Honeycomb) / TC-PSAG-5AW-E, TC-PSAGE-5AW-E(Grid)	
Air filter quantity		Pocket plastic net x 1(Washable)	
Remote control (option)		wired:RC-EX3A, RC-E5, RCH-E3 wireless:RCN-TC-5AW-E2, -E3	
Energy Class (Cooling/Heating)		A+ ++/A+	
SEER		6.39	
SCOP (Average climate)		4.09	
Pdesign (cooling/heating(@-10°C))		kW	5.6/5.4
Annual Electricity Consumption (cooling/heating)		kWh/a	307/1848
Designated Heating Season		Average	

The data is measured under the following conditions(ISO-T1).

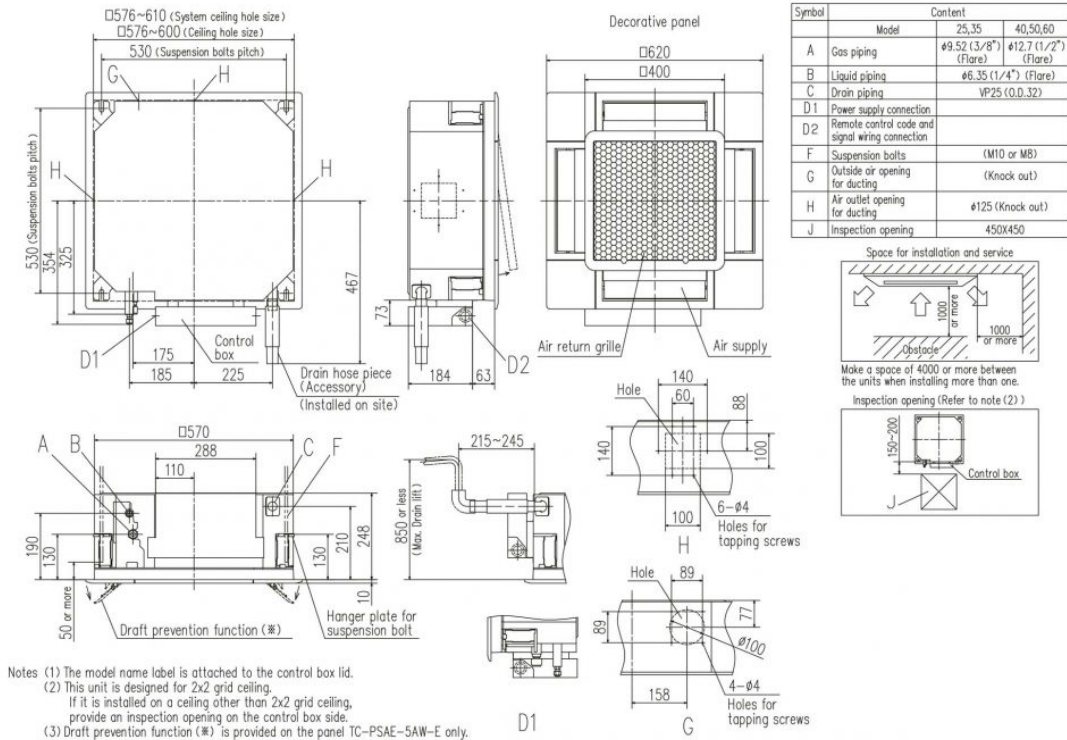
Cooling: Indoor temp. of 27°CDB, 19°CWB, and outdoor temp. of 35°CDB. Heating: Indoor temp. of 20°CDB, and outdoor temp. of 7°CDB, 6°CWB.

*1 : Indicates the value in an anechoic chamber. During operation these values are somewhat higher due to ambient conditions.

*2 : If a cooling operation is conducted when the outdoor air temperature is -5°C or lower, the outdoor unit should be installed at a place where it is not influenced by natural wind. If wind blows, the low pressure will drop and compressor frequency will increase, this will cause the capacity to drop and may cause the unit to break down.

Schematics

■ DIMENSIONS (Unit:mm) - FDTC -



SRC40ZSX-W1, 50ZSX-W1, 60ZSX-W1 SRC40ZSX-S, 50ZSX-S, 60ZSX-S

