



# FDTC25VF / SRC25ZMX-S

2.55 ( 0.9 ~ 3.2 )

Indoor Unit : FDTC25VF

Outdoor Unit : SRC25ZMX-S

## Specifications

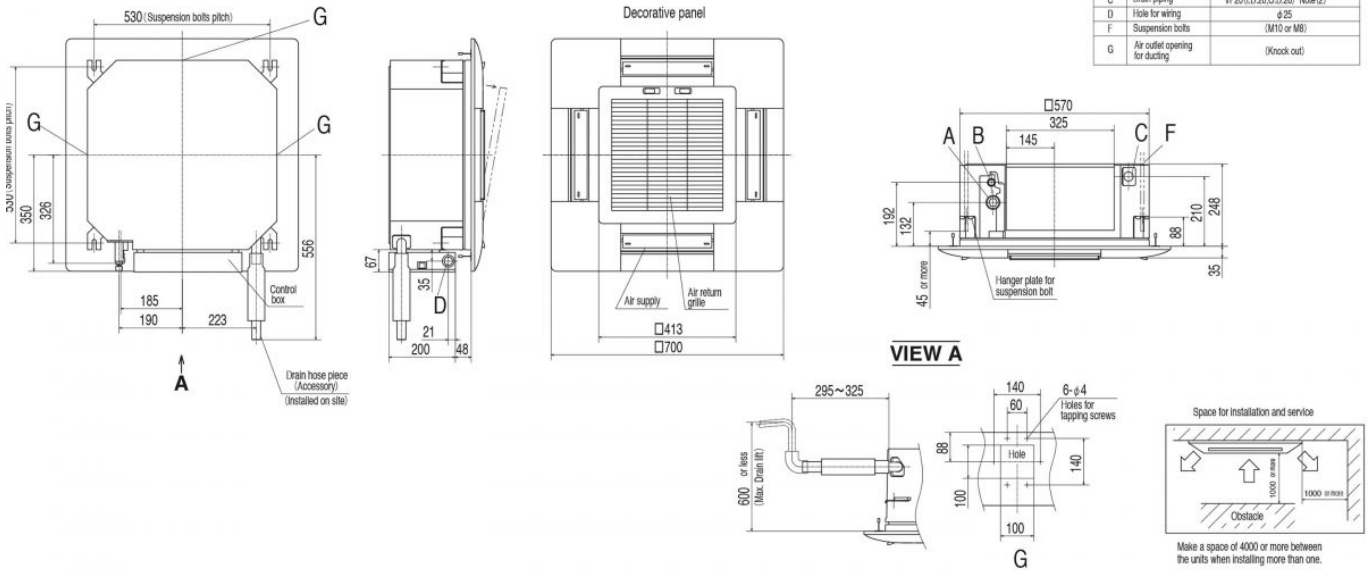


Indoor unit			FDTC25VF
Outdoor unit			SRC25ZMX-S
Power source			1Phase, 220 - 240, 50Hz
Nominal cooling capacity (Min~Max)		kW	2.55 ( 0.9 ~ 3.2 )
Nominal heating capacity (Min~Max)		kW	3.45 ( 0.9 ~ 4.7 )
Power consumption	Cooling/Heating	kW	0.6 / 0.84
EER/COP	Cooling/Heating		4.25 / 4.11
Max. running current		A	8
Sound power level	Indoor	Cooling/Heating	56 / 56
	Outdoor	Cooling/Heating	56 / 56
Sound pressure level	Indoor	Cooling (Hi/Me/Lo/Ulo)	dB(A) 38 / 36 / 32 / 29
		Heating (Hi/Me/Lo/Ulo)	
	Outdoor	Cooling/Heating	47 / 47
Air flow	Indoor	Cooling (Hi/Me/Lo/Ulo)	m3/min 10 / 9 / 8 / 6.5
		Heating (Hi/Me/Lo/Ulo)	
	Outdoor	Cooling/Heating	29.5 / 27.0
Exterior Dimensions	Indoor	Height x Width x Depth	mm Unit : 248 x 570 x 570 Panel : 35 x 700 x 700
	Outdoor		
Net weight	Indoor / Outdoor	kg	18.5 (Unit : 15 Panel : 3.5 ) / 35.0
Refrigerant	Type/GWP		R410A / 2088
Refrigerant	Charge	kg/TCO2Eq	1.2 / 2.506
Refrigerant piping size	Liquid/Gas	ø mm	6.35(1/4") / 9.52(3/8")
Refrigerant line (one way) length		m	Max. 15
Vertical height differences		Outdoor is higher/lower	m Max. 10 / Max.10
Outdoor operating temperature range	Cooling	°C	-15~46
	Heating		-15~24
Panel			TC-PSA-25W-E
Energy Class (Cooling/Heating)			A+ / A+
SEER			6.10
SCOP (Average climate)			4.13
Pdesign (cooling/heating@-10°C)		kW	2.55/3.10
Annual Electricity Consumption (cooling/heating)		kWh/a	147/1050
Designated Heating Season			Average

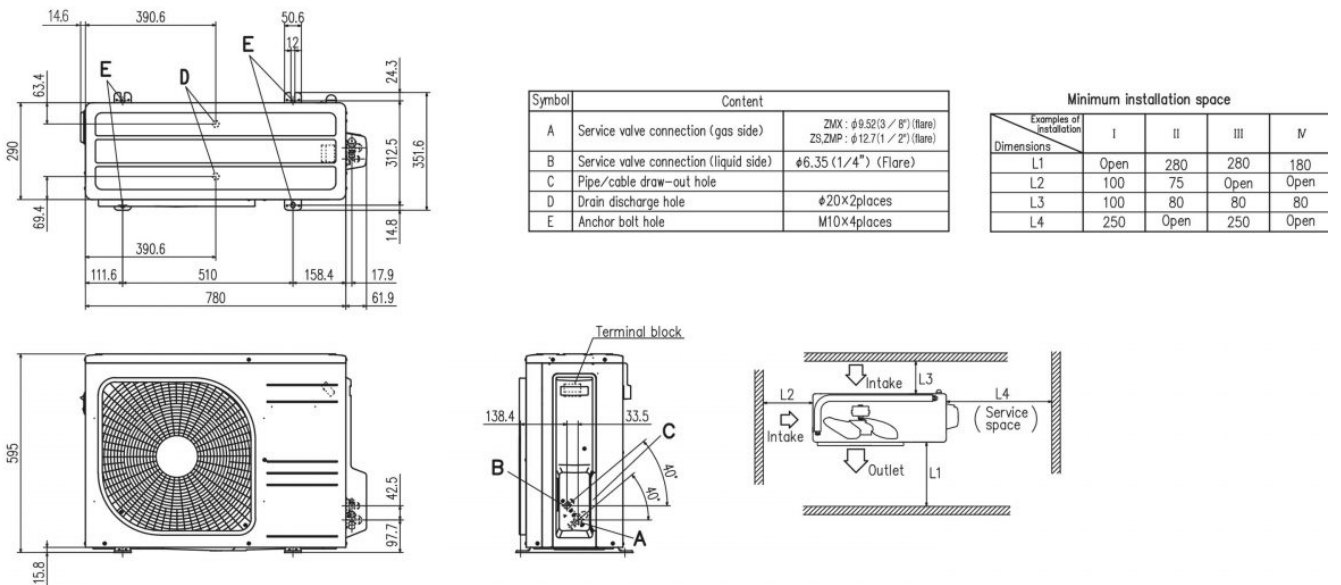
• The data is measured under the following conditions(ISO-T1, H1). Cooling: Indoor temp. of 27°CDB, 19°CWB, and outdoor temp. of 35°CDB. Heating: Indoor temp. of 20°CDB, and outdoor temp. of 7°CDB, 6°CWB.  
 • Sound level indicates the value in an anechoic chamber. During operation these values are somewhat higher due to ambient conditions.  
 • 'tonne(s) of CO2 equivalent' means a quantity of greenhouse gases- expressed as the product of the weight of the greenhouse gases in metric tonnes and of their global warming potential.  
 \*SEER/SCOP are based on EN14825:2016 and Commission regulation (EU) No.2016/2281

**Schematics**

**FDTC25VF FDTC35VF FDTC40VF FDTC50VF FDTC60VF**



**SRC50ZS-W,-S SRC25ZMX-S SRC35ZMX-S SRC45ZSP-W,-S**



Because of our policy of continuous improvement, we reserve the right to make changes in all specifications without notice.