



FDTC100VSAPVH

10.0 (4.0 ~ 11.2)

Indoor Unit : FDTC50VH x 2

Outdoor Unit : FDC100VSA

Specifications

R410A

Indoor unit		FDTC50VH x 2	
Outdoor unit		FDC100VSA	
Power source		3 Phase 380-415V, 50Hz / 380V, 60Hz	
Nominal cooling capacity (Min-Max)		kW	10.0 (4.0 ~ 11.2)
Nominal heating capacity (Min-Max)		kW	11.2 (4.0 ~ 12.5)
Power Consumption		Cooling/Heating kW	3.30 / 3.15
EER/COP		Cooling/Heating kW	3.03 / 3.56
Inrush current		A	5
Max. current		A	15
Sound power level* ¹	Indoor* ³	Cooling/Heating	dB(A) 59 / 59
	Outdoor	Sound power level	dB(A) 70 / 70
Sound pressure level* ¹	Indoor* ³	Cooling (P-Hi/Hi/Me/Lo)	dB(A) 44 / 40 / 35 / 27
	Indoor	Heating (P-Hi/Hi/Me/Lo)	dB(A) 44 / 40 / 35 / 27
	Outdoor	Cooling/Heating	dB(A) 54 / 56
Air flow	Indoor* ³	Cooling (P-Hi/Hi/Me/Lo)	m ³ /min 13 / 11 / 9 / 7
	Indoor	Heating (P-Hi/Hi/Me/Lo)	m ³ /min 13 / 11 / 9 / 7
	Outdoor	Cooling/Heating	m ³ /min 75 / 73
Exterior dimensions	Indoor	HeightxWidthxDepth	mm Unit: 248 x 570 x 570 Panel: 10 x 620 x 620
	Outdoor		mm 845 x 970 x 370
Net weight		Indoor/Outdoor	kg 16.5(Unit:14 Standard Panel:2.5) / 82
Refrigerant charge		kg/TCO ₂ E _q	3.8/7.934
Refrigerant Type GWP			R410A/2088
Ref.piping size	Liquid/Gas	ømm	9.52(3/8") / 15.88(5/8")
Refrigerant line (one way) length		m	Max.50
Vertical height differences		Outdoor is higher/lower	m Max.50 / Max.15
Outdoor operating temperature range	Cooling* ²		°C -15~50
	Heating		°C -20~20
Panel		TC-PSA-5AW-E, TC-PSAE-5AW-E(Honeycomb) / TC-PSAG-5AW-E, TC-PSAGE-5AW-E(Grid)	
Air filter, Q'ty		Pocket plastic net x 1(Washable)	
Remote control (option)		wired:RC-EX3A, RC-E5, RCH-E3, wireless:RCN-TC-5AW-E2, -E3	
Energy Class (Cooling/Heating)		A+/A+	
SEER		6.00	
SCOP (Average climate)		4.38	
Pdesign (cooling/heating(@-10°C))		10.0/8.4	
Annual Electricity Consumption		584/2682	
Designated Heating Season		Average	

The data is measured under the following conditions(ISO-T1).

Cooling: Indoor temp. of 27°CDB, 19°CWB, and outdoor temp. of 35°CDB. Heating: Indoor temp. of 20°CDB, and outdoor temp. of 7°CDB, 6°CWB.

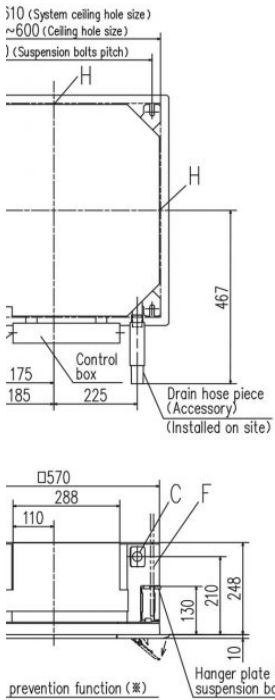
*1: Indicates the value in an anechoic chamber. During operation these values are somewhat higher due to ambient conditions

*2: If a cooling operation is conducted when the outdoor air temperature is -5°C or lower, the outdoor unit should be installed at a place where it is not influenced by natural wind, if wind blows, the low pressure will drop and compressor frequency will increase, this will cause the capacity to drop and may cause the unit to break down

*3: The values are for one indoor unit operation. (Multi system only)

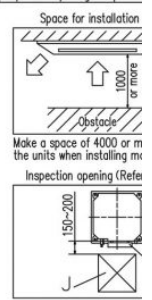
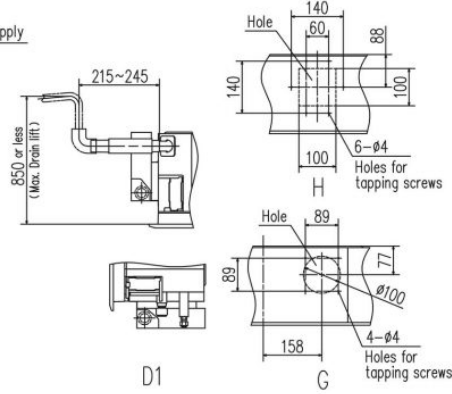
Schematics

1 FDTC35VH1 FDTC40VH FDTC50VH FDTC60VH



- Notes (1) The model name label is attached to the control box lid.
(2) This unit is designed for 2x2 grid ceiling.
If it is installed on a ceiling other than 2x2 grid ceiling, provide an inspection opening on the control box side.
(3) Draft prevention function (※) is provided on the panel TC-P

Symbol	Content	Content
A	Gas piping	25-38
B	Liquid piping	40-60
C	Drain piping	
D1	Power supply connection	
D2	Remote control code and signal wiring connection	
F	Suspension bolts	
G	Outside air opening for ducting	
H	Air outlet opening for ducting	
J	Inspection opening	



FDC100VNA, 125VNA, 140VNA
100VSA, 125VSA, 140VSA

