

FDT140VSAWTVH

13.6 (5.0 ~ 14.5)

Indoor Unit : FDT50VH x 3

Outdoor Unit : FDC140VSA-W

Specifications

R32

Indoor unit		FDT50VH x 3	
Outdoor unit		FDC140VSA-W	
Power source		3 Phase 380-415V, 50Hz / 380V, 60Hz	
Nominal cooling capacity (Min-Max)		kW	13.6 (5.0 ~ 14.5)
Nominal heating capacity (Min-Max)		kW	15.5 (4.0 ~ 16.5)
Power Consumption		Cooling/Heating kW	4.22 / 3.57
EER/COP		Cooling/Heating kW	3.22 / 3.88
Inrush current		A	5
Max. current		A	15
Sound power level*1	Indoor*3	Cooling/Heating	dB(A) 55 / 56
	Outdoor	Sound power level	dB(A) 72 / 73
Sound pressure level*1	Indoor*3	Cooling (P-Hi/Hi/Me/Lo)	dB(A) 41 / 33 / 30 / 26
	Indoor	Heating (P-Hi/Hi/Me/Lo)	dB(A) 42 / 33 / 28 / 20
	Outdoor	Cooling/Heating	dB(A) 56 / 58
Air flow	Indoor*3	Cooling (P-Hi/Hi/Me/Lo)	m ³ /min 22 / 16 / 13 / 10
	Indoor	Heating (P-Hi/Hi/Me/Lo)	m ³ /min 22 / 16 / 13 / 10
	Outdoor	Cooling/Heating	m ³ /min 75 / 73
Exterior dimensions	Indoor	HeightxWidthxDepth	mm Unit: 236 x 840 x 840 Panel: 35 x 950 x 950
	Outdoor		mm 845 x 970 x 370
Net weight		Indoor/Outdoor	kg 24(Unit:19 Standard Panel:5) / 78
Refrigerant Type GWP		R32/675	
Ref.piping size	Liquid/Gas	ømm	9.52(3/8") / 15.88(5/8")
Refrigerant line (one way) length		m	Max.50
Vertical height differences		Outdoor is higher/lower	m Max.50 / Max.15
Outdoor operating temperature range	Cooling*2		°C -15~50
	Heating		°C -20~20
Panel		White: T-PSA-5BW-E, T-PSAE-5BW-E / Black: T-PSA-5BB-E, T-PSAE-5BB-E	
Air filter, Q'ty		Pocket plastic net x 1(Washable)	
Remote control (option)		wired: RC-EX3A, RC-E5, RCH-E3 wireless: RCN-T-5BW-E2, RCN-T-5BB-E2	

The data is measured under the following conditions(ISO-T1).

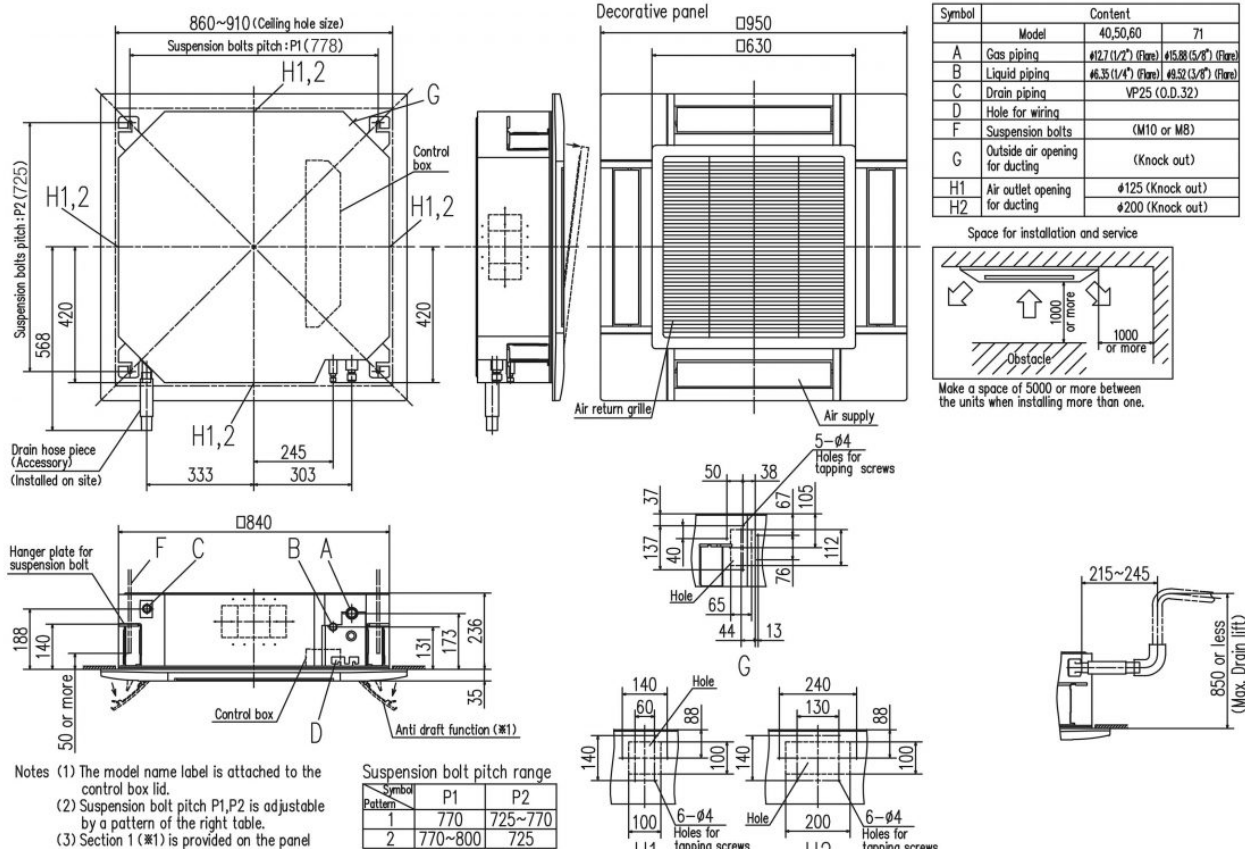
Cooling: Indoor temp. of 27°CDB, 19°CWB, and outdoor temp. of 35°CDB. Heating: Indoor temp. of 20°CDB, and outdoor temp. of 7°CDB, 6°CWB.

*1: Indicates the value in an anechoic chamber. During operation these values are somewhat higher due to ambient conditions

*2: If a cooling operation is conducted when the outdoor air temperature is -5°C or lower, the outdoor unit should be installed at a place where it is not influenced by natural wind, if wind blows, the low pressure will drop and compressor frequency will increase, this will cause the capacity to drop and may cause the unit to break down

*3: The values are for one indoor unit operation. (Multi system only)

Schematics



Unit: mm

Model FDC100VNA-W, 125VNA-W, 140VNA-W 100VSA-W, 125VSA-W, 140VSA-W

