



FDT100VNXXWH

10.0 (3.5 ~ 11.2)

Indoor Unit : FDT100VH

Outdoor Unit : FDC100VN-X-W

Specifications

R32

Indoor unit			FDT100VH
Outdoor unit			FDC100VN-X-W
Power source			1 Phase 220-240V, 50Hz / 220V, 60Hz
Nominal cooling capacity (Min~Max)		kW	10.0 (3.5 ~ 11.2)
Nominal heating capacity (Min~Max)		kW	11.2 (2.7 ~ 12.5)
Power consumption	Cooling/Heating	kW	2.28 / 2.48
EER/COP	Cooling/Heating		4.38 / 4.52
Inrush current		A	5
Max. running current		A	25
Sound power level*1	Indoor	Cooling/Heating	62 / 62
	Outdoor	Cooling/Heating	67 / 67
Sound pressure level*1	Indoor	Cooling (Hi/Me/Lo/Ulo)	47 / 39 / 36 / 30
		Heating (Hi/Me/Lo/Ulo)	47 / 39 / 36 / 29
	Outdoor	Cooling/Heating	53 / 51
Air flow	Indoor	Cooling (Hi/Me/Lo/Ulo)	37 / 26 / 23 / 17
		Heating (Hi/Me/Lo/Ulo)	37 / 26 / 23 / 17
	Outdoor	Cooling/Heating	100 / 100
Exterior Dimensions	Indoor	Height x Width x Depth	Unit: 298 x 840 x 840 Panel: 35 x 950 x 950
	Outdoor		1,300 x 970 x 370
Net weight	Indoor / Outdoor	kg	30(Unit:25 Standard Panel:5) / 97
Refrigerant	Type/GWP		R32/675
Refrigerant	Charge	kg/TCO2Eq	4.0/2.7
Refrigerant piping size	Liquid/Gas	ø mm	9.52(3/8") / 15.88(5/8")
Refrigerant line (one way) length		m	Max.100
Vertical height differences	Outdoor is higher/lower	m	Max.50 / Max.15
Outdoor operating temperature range	Cooling*2	°C	-15~50
	Heating		-20~20
Panel			T-PSA-5BW-E, T-PSAE-5BW-E (White) / T-PSA-5BB-E, T-PSAE-5BB-E (Black)
Air filter quantity			Pocket plastic net x 1(Washable)
Remote control (option)			wired: RC-EX3A, RC-E5, RCH-E3 wireless: RCN-T-5BW-E2, RCN-T-5BB-E2
Energy Class (Cooling/Heating)			A+ ++/A+
SEER			8.00
SCOP (Average climate)			4.44
Pdesign (cooling/heating(@-10°C))		kW	10.0/11.2
Annual Electricity Consumption (cooling/heating)		kWh/a	438/3534
Designated Heating Season			Average

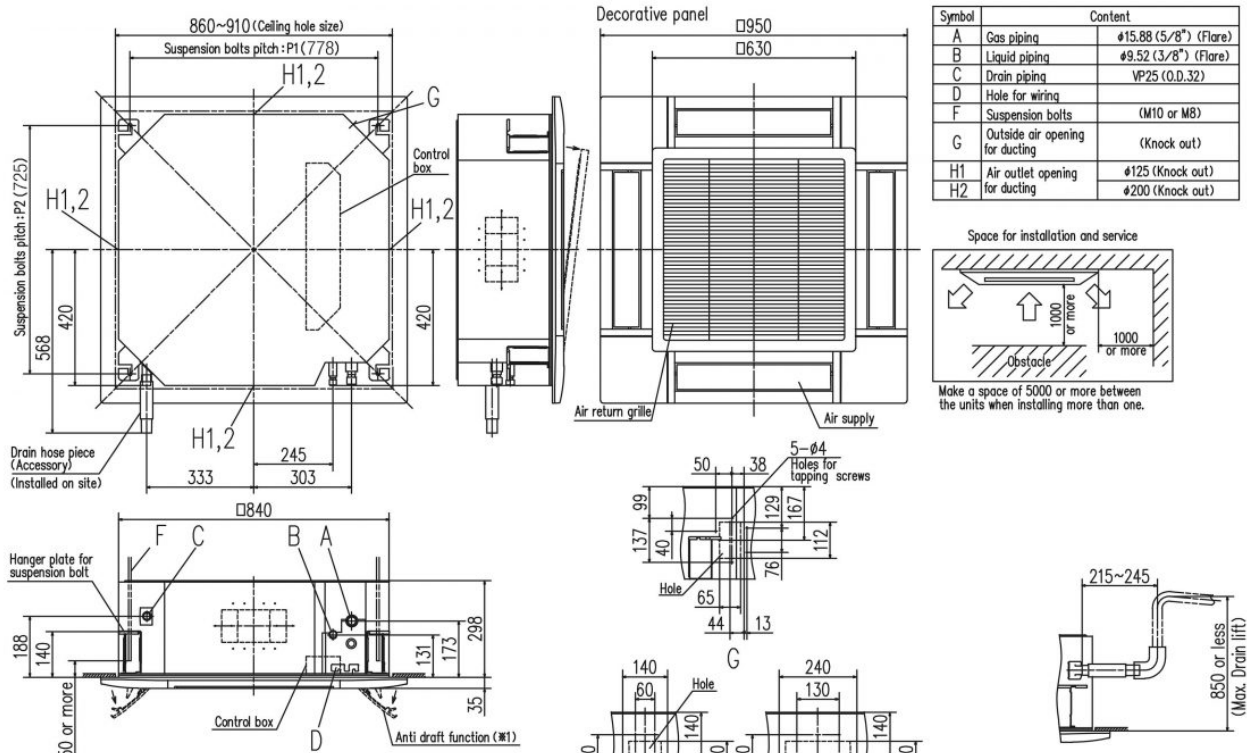
The data is measured under the following conditions(ISO-T1).

Cooling: Indoor temp. of 27°CDB, 19°CWB, and outdoor temp. of 35°CDB. Heating: Indoor temp. of 20°CDB, and outdoor temp. of 7°CDB, 6°CWB.

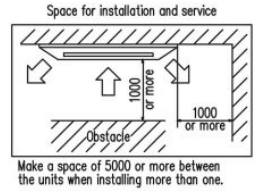
*1 : Indicates the value in an anechoic chamber. During operation these values are somewhat higher due to ambient conditions.

*2 : If a cooling operation is conducted when the outdoor air temperature is -5°C or lower, the outdoor unit should be installed at a place where it is not influenced by natural wind. If wind blows, the low pressure will drop and compressor frequency will increase, this will cause the capacity to drop and may cause the unit to break down.

Schematics

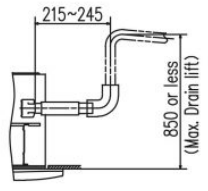
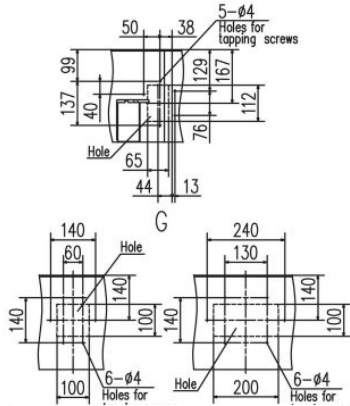


Symbol	Content	
A	Gas piping	φ15.88 (5/8") (Flare)
B	Liquid piping	φ9.52 (3/8") (Flare)
C	Drain piping	VP25 (O.D.32)
D	Hole for wiring	
F	Suspension bolts	(M10 or M8)
G	Outside air opening for ducting	(Knock out)
H1	Air outlet opening for ducting	φ125 (Knock out)
H2		φ200 (Knock out)



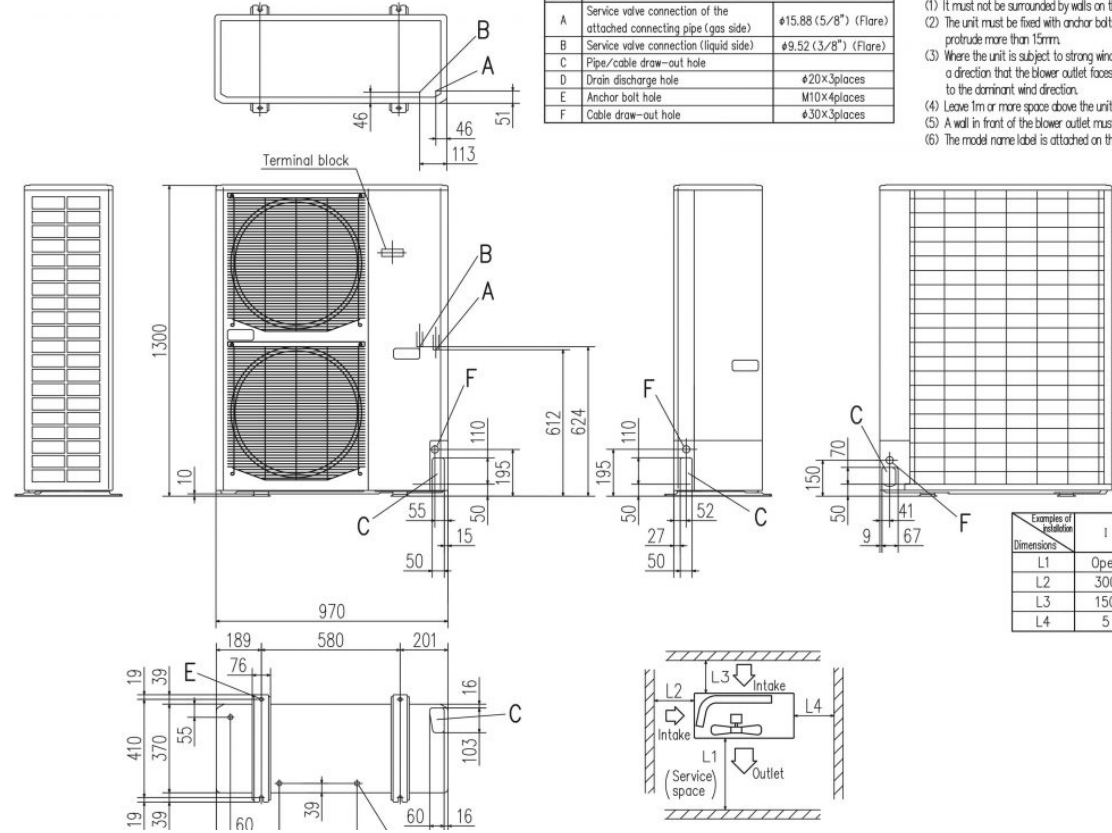
Notes (1) The model name label is attached to the control box lid.
 (2) Suspension bolt pitch P1,P2 is adjustable by a pattern of the right table.
 (3) Section 1.2.1 is provided on the panel.

Suspension bolt pitch range		
Symbol	P1	P2
Pattern	770	725~770
2	770~800	795



Notes (1) It must not be surrounded by walls on the four sides.
 (2) The unit must be fixed with anchor bolts. An anchor bolt must not protrude more than 15mm.
 (3) Where the unit is subject to strong winds, lay it in such a direction that the blower outlet faces perpendicularly to the dominant wind direction.
 (4) Leave 1m or more space above the unit.
 (5) A wall in front of the blower outlet must not exceed the units height.
 (6) The model name label is attached on the lower right corner of the front panel.

Symbol	Content	
A	Service valve connection of the attached connecting pipe (gas side)	φ15.88 (5/8") (Flare)
B	Service valve connection (liquid side)	φ9.52 (3/8") (Flare)
C	Pipe/cable draw-out hole	
D	Drain discharge hole	φ20X3places
E	Anchor bolt hole	M10X4places
F	Cable draw-out hole	φ30X3places



Examples of installation Dimensions	I	II	III
L1	Open	Open	500
L2	300	5	Open
L3	150	300	150
L4	5	5	5

