



FDT100VNXPVH

10.0 (4.0 ~ 11.2)

Indoor Unit : FDT50VH x 2

Outdoor Unit : FDC100VNX

Specifications



Indoor unit		FDT50VH x 2		
Outdoor unit		FDC100VNX		
Power source		1 Phase 220-240V, 50Hz / 220V, 60Hz		
Nominal cooling capacity (Min-Max)		kW	10.0 (4.0 ~ 11.2)	
Nominal heating capacity (Min-Max)		kW	11.2 (4.0 ~ 12.5)	
Power Consumption		Cooling/Heating	kW	2.56 / 2.67
EER/COP		Cooling/Heating	kW	3.91 / 4.19
Inrush current			A	5
Max. current			A	24
Sound power level* ¹	Indoor* ³	Cooling/Heating	dB(A)	55 / 56
	Outdoor	Sound power level	dB(A)	70 / 70
Sound pressure level* ¹	Indoor* ³	Cooling (P-Hi/Hi/Me/Lo)	dB(A)	41 / 33 / 30 / 26
	Indoor	Heating (P-Hi/Hi/Me/Lo)	dB(A)	42 / 33 / 28 / 20
	Outdoor	Cooling/Heating	dB(A)	48 / 50
Air flow	Indoor* ³	Cooling (P-Hi/Hi/Me/Lo)	m ³ /min	22 / 16 / 13 / 10
	Indoor	Heating (P-Hi/Hi/Me/Lo)	m ³ /min	22 / 16 / 13 / 10
	Outdoor	Cooling/Heating	m ³ /min	100 / 100
Exterior dimensions	Indoor	HeightxWidthxDepth	mm	Unit: 236 x 840 x 840 Panel: 35 x 950 x 950
	Outdoor		mm	1,300 x 970 x 370
Net weight		Indoor/Outdoor	kg	24(Unit:19 Standard Panel:5) / 105
Refrigerant charge		kg/TCO ₂ E _q	4.5/9.396	
Refrigerant Type GWP		R410A/2088		
Ref.piping size	Liquid/Gas	ømm	9.52(3/8") / 15.88(5/8")	
Refrigerant line (one way) length		m	Max. 100	
Vertical height differences		Outdoor is higher/lower	m	Max.30 / Max.15
Outdoor operating temperature range	Cooling* ²		°C	-15~43
	Heating		°C	-20~20
Panel		White: T-PSA-5BW-E, T-PSAE-5BW-E / Black: T-PSA-5BB-E, T-PSAE-5BB-E		
Air filter, Q'ty		Pocket plastic net x 1(Washable)		
Remote control (option)		wired: RC-EX3A, RC-E5, RCH-E3 wireless: RCN-T-5BW-E2, RCN-T-5BB-E2		
Energy Class (Cooling/Heating)		A+/A+		
SEER		5.92		
SCOP (Average climate)		4.16		
Pdesign (cooling/heating(@-10°C))		10.0/11.2		
Annual Electricity Consumption		592/3772		
Designated Heating Season		Average		

The data is measured under the following conditions(ISO-T1).

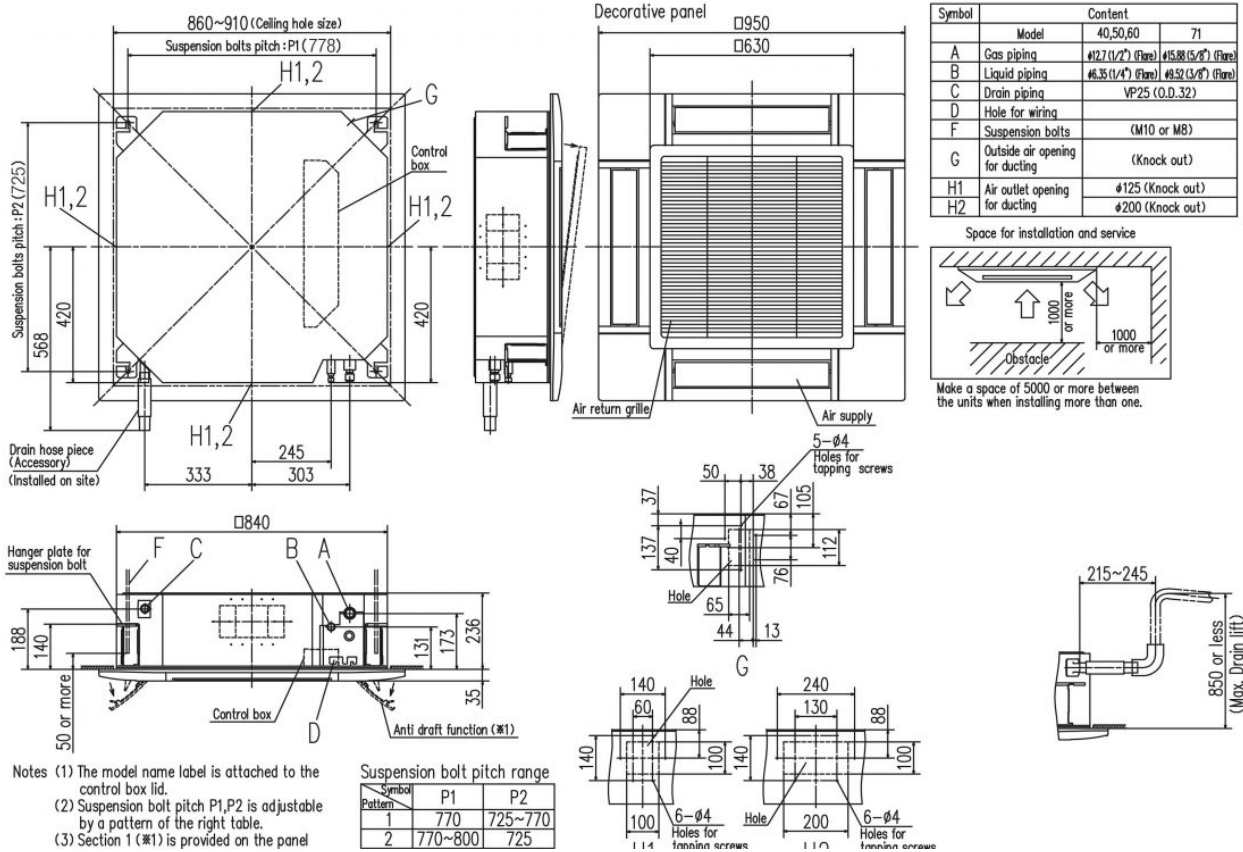
Cooling: Indoor temp. of 27°CDB, 19°CWB, and outdoor temp. of 35°CDB. Heating: Indoor temp. of 20°CDB, and outdoor temp. of 7°CDB, 6°CWB.

*1: Indicates the value in an anechoic chamber. During operation these values are somewhat higher due to ambient conditions

*2: If a cooling operation is conducted when the outdoor air temperature is -5°C or lower, the outdoor unit should be installed at a place where it is not influenced by natural wind, if wind blows, the low pressure will drop and compressor frequency will increase, this will cause the capacity to drop and may cause the unit to break down

*3: The values are for one indoor unit operation. (Multi system only)

Schematics



FDC100VNX, 100VVSX, 125VNX, 125VVSX, 140VNX, 140VVSX

