



FDF250VSAPVD

24.0 (6.9 ~ 28.0)

Indoor Unit : FDF125VD x 2

Outdoor Unit : FDC250VSA

Specifications



Indoor unit		FDF125VD x 2		
Outdoor unit		FDC250VSA		
Power source		3 Phase 380-415V, 50Hz / 380V, 60Hz		
Nominal cooling capacity (Min-Max)		kW	24.0 (6.9 ~ 28.0)	
Nominal heating capacity (Min-Max)		kW	27.0 (5.5 ~ 31.5)	
Power Consumption		Cooling/Heating	kW	9.15 / 8.49
EER/COP		Cooling/Heating	kW	2.62 / 3.18
Inrush current		A	5	
Max. current		A	21	
Sound power level* ¹	Indoor* ³	Cooling/Heating	dB(A)	73 / 73
	Outdoor	Sound power level	dB(A)	73 / 75
Sound pressure level* ¹	Indoor* ³	Cooling (P-Hi/Hi/Me/Lo)	dB(A)	54 / 50 / 48 / 44
	Indoor	Heating (P-Hi/Hi/Me/Lo)	dB(A)	54 / 50 / 48 / 44
	Outdoor	Cooling/Heating	dB(A)	59 / 62
Air flow	Indoor* ³	Cooling (P-Hi/Hi/Me/Lo)	m ³ /min	29 / 26 / 23 / 19
	Indoor	Heating (P-Hi/Hi/Me/Lo)	m ³ /min	29 / 26 / 23 / 19
	Outdoor	Cooling/Heating	m ³ /min	143 / 151
Exterior dimensions	Indoor	HeightxWidthxDepth	mm	1,850 x 600 x 320
	Outdoor		mm	1,505 x 970 x 370
Net weight		Indoor/Outdoor	kg	52 / 143
Refrigerant Type GWP				R410A/2088
Ref.piping size	Liquid/Gas	ømm	12.7(1/2") / 22.22(7/8")	
Refrigerant line (one way) length		m	Max.70	
Vertical height differences		Outdoor is higher/lower	m	Max.30 / Max.15
Outdoor operating temperature range		Cooling* ²	°C	-15~50
		Heating	°C	-15~20
Air filter, Q'ty				Plastic net x 1(Washable)
Remote control (option)				wired:RC-E5 (installed) wireless:RCN-KIT4-E2

The data is measured under the following conditions(ISO-T1).

Cooling: Indoor temp. of 27°CDB, 19°CWB, and outdoor temp. of 35°CDB. Heating: Indoor temp. of 20°CDB, and outdoor temp. of 7°CDB, 6°CWB.

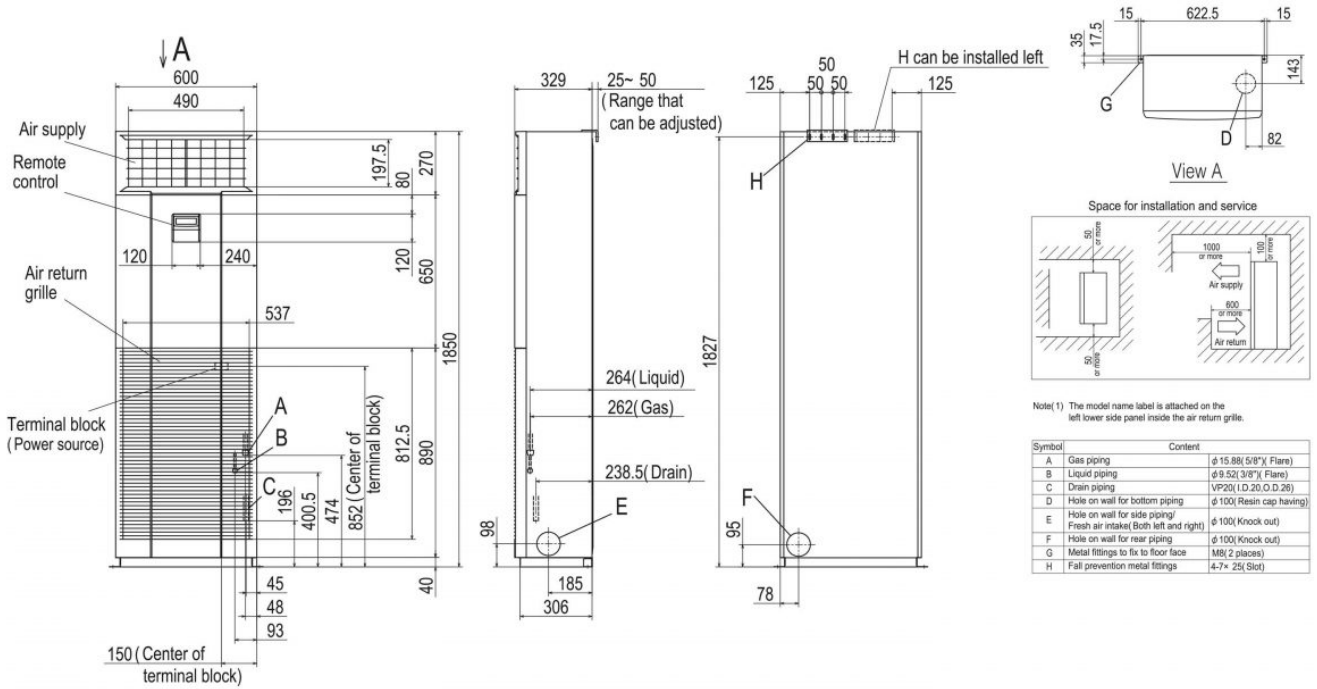
*1: Indicates the value in an anechoic chamber. During operation these values are somewhat higher due to ambient conditions

*2: If a cooling operation is conducted when the outdoor air temperature is -5°C or lower, the outdoor unit should be installed at a place where it is not influenced by natural wind, if wind blows, the low pressure will drop and compressor frequency will increase, this will cause the capacity to drop and may cause the unit to break down

*3: The values are for one indoor unit operation. (Multi system only)

Schematics

■ DIMENSIONS (Unit:mm) - FDF -



FDC250VSA

